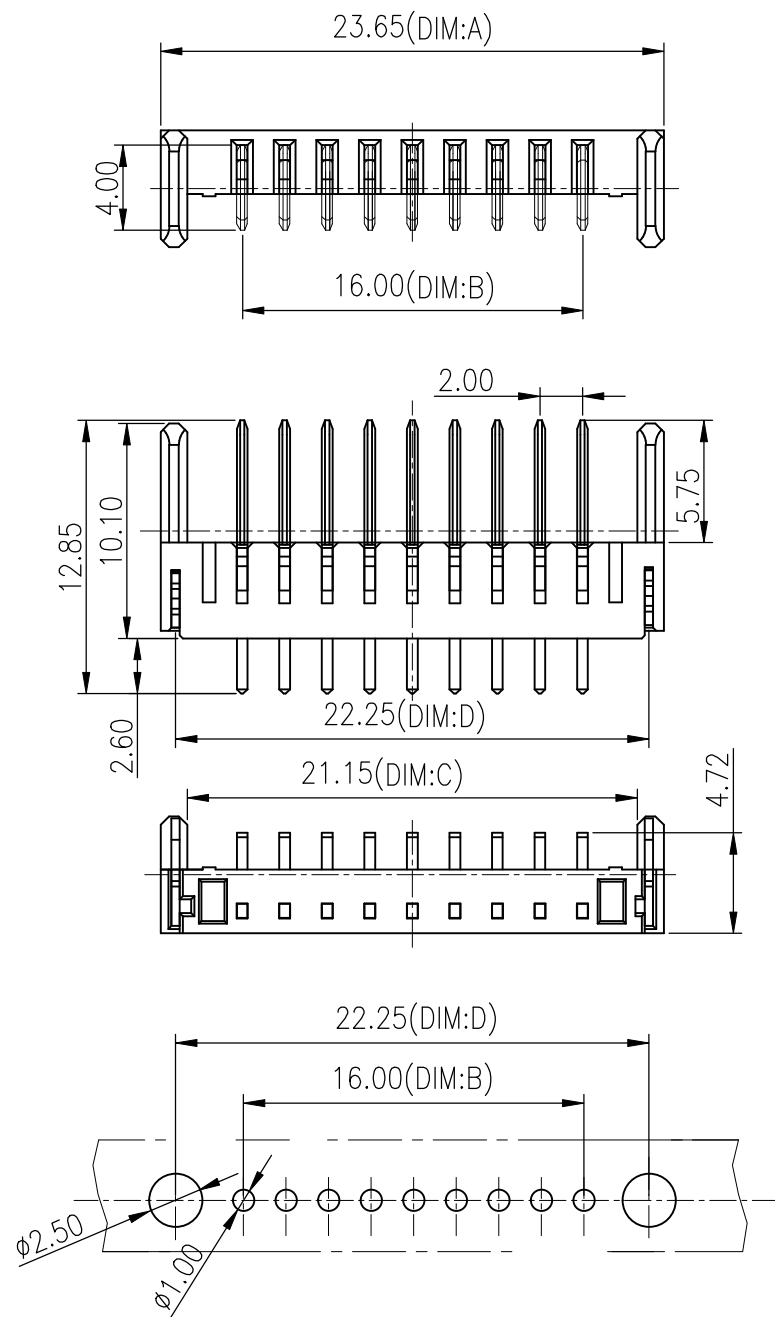


REV.	DESCRIPTION	DRAW.	DATE.
01	NEW DESIGN	Elih	

No:of pins	Dimension			
	DIM.A	DIM.B	DIM.C	DIM.D
03	11.65	4.00	9.15	10.25
04	13.65	6.00	11.15	12.25
05	15.65	8.00	13.15	14.25
06	17.65	10.00	15.15	16.25
07	19.65	12.00	17.15	18.25
08	21.65	14.00	19.15	20.25
09	23.65	16.00	21.15	22.25
10	25.65	18.00	23.15	24.25
11	27.65	20.00	25.15	26.25
12	29.65	22.00	27.15	28.25

NOTE:  
 Material  
 Insulator:Nylon 9T(UL94V-0)  
 Contact:phosphor Bronze  
 Contact Plated:Gold over Nickel or Tin  
 Specification  
 Current rating:5A  
 instant CURRENT:7A  
 Contact Resistance:30MΩ  
 Insulation Resistance:100MΩ  
 Dielectric Voltage:500V  
 Operdting Temperature:-40°~105°



Recommended P.C.B Layout

DISONG ELECTRONIC CO.,LTD.

UNLESS OTHERWISE SPECIFIED, TOLERANCE: X. ±0.20 X.x ±0.15 X.xx ±0.10 ANGULAR ±2°	DESIGN	Elih	DATE	TITLE: Battery 180° 2.0mm Pitches Male Connector	
	APPROVED		DATE		
	PART NO	A01M-A-M5	REV: 01	SCALE: 1:1	UNIT: mm
	DRAWING NO	A01M-A-M5	SIZE: A4	SHEET: 1/1	