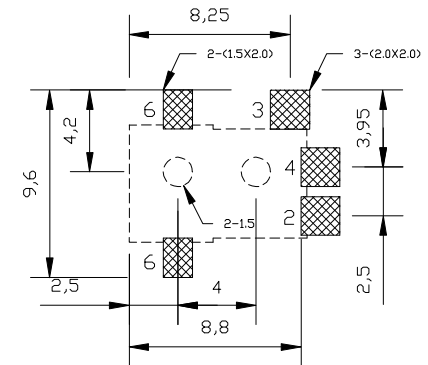
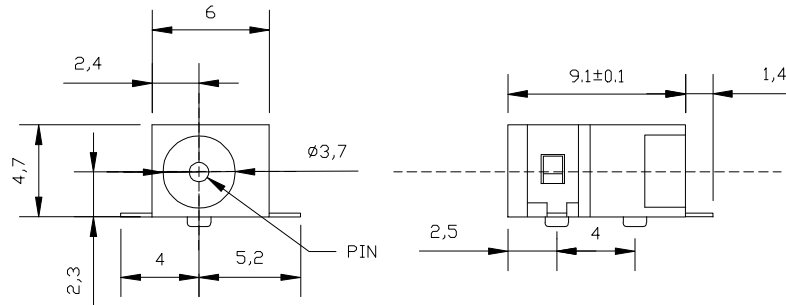


**SCHEMATIC**



PIN	$\phi 1.0$	$\phi 1.3$
-----	------------	------------

HOLE LAYOUT

# DONGGUAN DISONG ELECTRONIC CO., LTD.

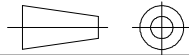
TITLE : DC POWER JACK

MODEL : DC-045B

UNIT : MM    DWN.    DATE

SCALE : 4 : 1    CHK'D    DATE

VERSION    01    APPD.    DATE



TOLERANCE  
 <math>\leq 5\text{mm}</math>  $\pm 0.1</math>  
 > 5mm  $\pm 0.2</math>$$

ANGLE TOL  
 $\pm 2^\circ$

NO.	PART NAME	MATERIAL	QTY	FINISHING
5	TERMINAL C	BRASS STRIP	2	Ag PLATED
4	TERMINAL B	PBS STRIP	1	Ag PLATED
3	TERMINAL A	BRASS STRIP	2	Ag PLATED
2	PIN	BRASS	1	Ag PLATED
1	CASE	NYLON	1	BLACK
NO.	PART NAME	MATERIAL	QTY	FINISHING