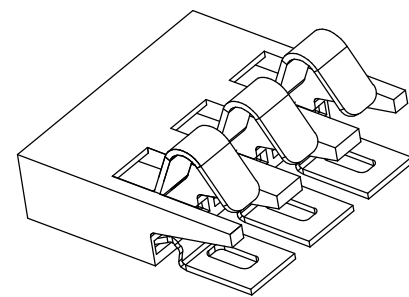
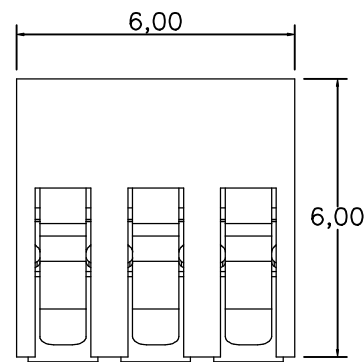


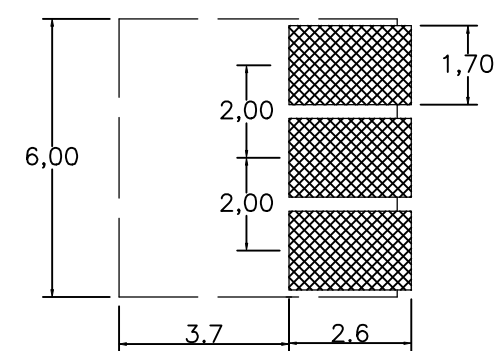
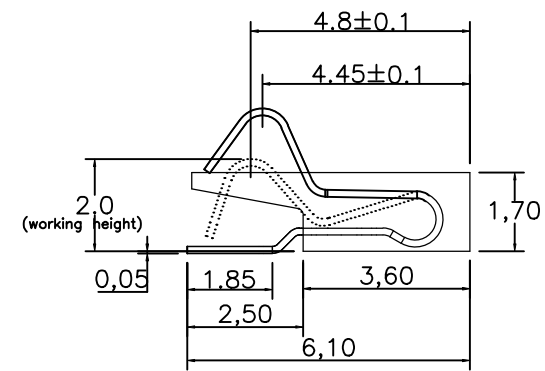
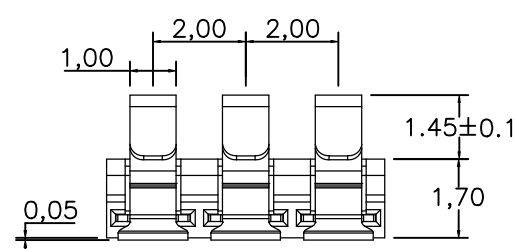
F E D C B A

1



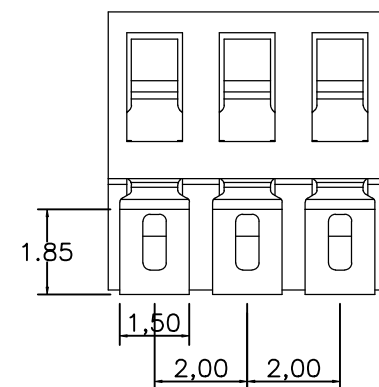
1

2



2

3



RECOMMENDED PCB LAYOUT
TOP VIEW (. XX±0.05)

3

4

2	HOUSING	LCP	1	BLACK
1	CONTACT TERMINAL	PHOSPHOR BRONZE	3	Au PLATED
NO.	PARTS	MATERIAL	QTY.	FINISHING

4

DISONG ELECTRONIC CO., LTD.

COPYRIGHT RESERVED, PLEASE DO NOT COPY.

PART NAME		CONNECTOR		DRAWING	G.B.Wu	DWG.No.	DS-BC-105
PART NO.		BC-1-319		CHECK	Q.L..Dai	REV.	A0
UNIT :	TOLERANCE	UP TO 5	±0.2	ANGLE	APPROVAL	DATE	02-09-2017
		ABOVE 5 30	±0.3				
mm	OTHERWISE	ABOVE 30	±0.5	0°±3°	SCALE	PAGE	1 OF 1

F E D C B A